

Air Tec®

Air cushion pad with the little extra

Air cushion pads are developed to give an extra comfort in addition to the benefits offered by pads made of silicone. Our Air Tec series combines the air cushion technology of our Air Active Series to be used with extravagant pad arms to give your frames an elegant style and high comfort!

Options:

- ... pushing pad inside an oval metal loop pad arm
- ... pulling pad over an oval metal loop pad arm

and brand *NEW*:

- .. for all system 3 pad arms & frames made by chemical etching

**100% Made in Germany in our own facilities
and with tested materials only**



F&W Frey&Winkler GmbH

Benzstraße 13
PO Box 2109
75203 Königsbach-Stein

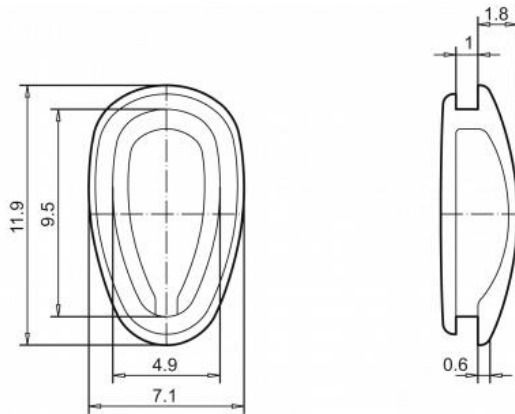
Phone: +49 7232 / 30 54-0
Fax: +49 7232 / 27 90
E-Mail: mail@freywinkler.de
Web: www.freywinkler.de

Version 1/2014



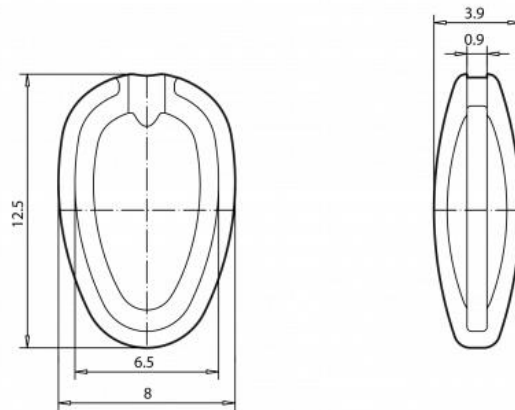
Air Tec® System 3 matching pad arm no. 3149 – pad to be pushed inside

Article 60608
Size 11,90 mm



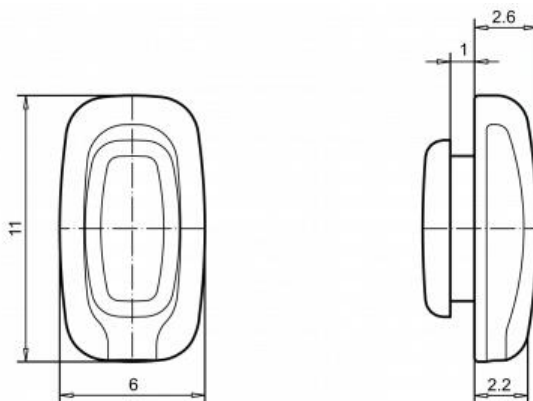
Air Tec® - Cape Pad System 3 matching pad arm no. 3149 – pad to be pulled over

Article 61025
Size 12 mm



Air Tec® System 3 matching pad arm no. 3137, 3170 and 3174

Article 61130
Size 11 mm



Body: Thin elastic body made of anti-allergic silicone, featuring air chamber and corresponding valve
Insert: no insert, just pure silicone

For details please visit our online catalogue at: www.freywinkler.de/online_catalogue

Check out our other series of air cushion pads: **Air Active®!**

Patent Pending